

## Pistol Round Rolling Directions for .44 rounds.

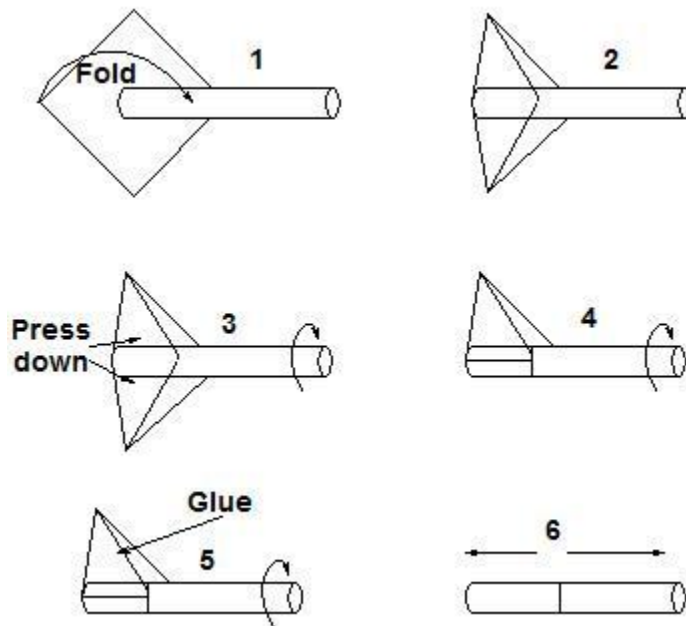
Cigarette rolling papers

3/16 dowel

Glue stick

FFFg powder

1. Place dowel diagonally on paper
2. Fold 1 corner up, which leaves a single layer of paper toward the firing cap
3. Press down along the sides
4. roll the side nearest to you away, tucking it under the dowel as you roll
5. glue the remaining flap, then continue rolling
6. remove the dowel from the paper



Using a powder flask, put a standard .44 load in the paper, then an equal amount of cream of wheat mixture on top of that. Twist one time, and glue the flap down the side of the cartridge. I usually mark the powder end with a black magic marker.

When you load your cylinder, put the powder end in first, ram it, and cap it.